

AFD-V70 Liquid flow sensor



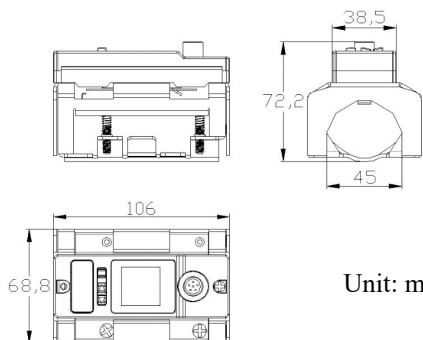
1. Product Summary

AFD-V70 liquid flow sensor uses ultrasonic principle to detect liquid flow. By calculating the relationship between flow time and flow rate, it can realize real-time monitoring of fluid flow.

2. Key Features

- ◆ Long service life
- ◆ Compatible with various flow settings
- ◆ Support multiple liquid measurements
- ◆ Easy to set up and use
- ◆ Compact

3. Dimension



Unit: mm

4. Technical Parameters

Working voltage	24V
Response time	0.5s/1s/2.5s/5s/10s/30s/60s
Accuracy	response time 0.5s: $0.5 \pm 2.0\%$ response time 1s: $1 \pm 1.5\%$ response time 2.5s: $2.5 \pm 1.0\%$ response time 5s: $5 \pm 0.5\%$ response time 10s: $10 \pm 0.35\%$ response time 30s: $30 \pm 0.2\%$ response time 60s: $60 \pm 0.15\%$
Supporting pipe material	Metal, Resin
Supporting fluids	Various liquids (water, oil, chemicals, etc.)
Measurement range	20L~500L (depending on pipe diameter)
Power consumption	≤ 150 mA
Communication	RS485
Fluid temperature	0~85°C (non freeze on pipe surface)

5. Applications

AFD-V70 liquid flow sensor can be widely used in food, medical, industrial, chemical and paper industries.



Guangzhou Aosong Electronic Co., Ltd.

Add: No.17, Yunjun Road, Huangpu District, Guangzhou, China

Tel: +86 18122702030 Fax: +86 20-89852796

Email: inquiry@aosong.com

Web: www.aosong.com/en, www.asairsensors.com